

MOD4

Fiber Optic Din Rail Mounted Modem Synchronous/Asynchronous Data Modem

Applications

- Computer to computer
- Computer to printer
- Computer to encrypter
- Server to PC links
- Computer to controller



Description

The MOD4 DIN rail mounted modem transmits serial RS-232 data, two clocks, and all control lines over a pair of optical fibers. The modem passes synchronous data at any rate up to 100 kbps, and asynchronous data at any rate up to 200 kbps. Singlemode or multimode fiber may be used interchangeably. If link integrity is critical, redundant optics and power supplies can be

used. The MOD4-DCE version connects to a DTE, such as a computer. It has an on board bit rate generator which outputs a clock if needed. The MOD4-DTE connects to a DCE, such as a modem. When the DCE and DTE version are used together, the modems simulate a straight through cable. A DCE to DCE, or DTE to DTE configuration is also valid.

Features:

- DIN Rail Mounted
- 12V, 24V, 48V DC, or 120/240AC supply
- Passes any data rate up to the max.
- Inherent single or multi-mode operation
- Redundant optics option
- Redundant power supply inputs
- Remote/Local Loopback
- Very long operating distance
- Extended temperature range (-40C to 75C)
- EMI/RFI immune
- CE Tested
- 5 Year warranty

Specifications

Optical

Light source	850 nm LED M version
	1300 nm SLED MM version
	1300 nm ELED SM version
Optical Sensitivity	-55 dBm (10-9 BER)
Optical Connectors	ST
Operating distance	
M version -18dBm launch, 62.5/125 fiber, 3.0 dB loss/km	12 Km
M version -36dBm launch, 9/125 fiber, 2.0 dB loss/Km	9 Km
MM version -18dBm launch, 62.5/125 fiber, 1.0 dB loss/km	50 Km
MM version -37dBm launch, 9/125 fiber, 0.5 dB loss/km	45 Km
SM version -16dBm launch, 9/125 fiber, 0.4 dB loss/Km	90 Km

Electrical

Data rate asynchronous	DC to 200 kbps
synchronous	DC to 100 kbps
Data bits/character	Any
Internally generated bit rates	4.8, 9.6, 19.2, 38.4, 76.8 kbps
Data connector DCE model	DB25S
DTE model	DB25P

MOD4

Fiber Optic Din Rail Mounted Modem
Synchronous/Asynchronous Data Modem



Specifications (cont.)

Electrical

Data input/output levels	RS232
Supply voltage mains option	12V to 16V DC
12V DC isolated supply option	9V to 18V DC
24V DC isolated supply option	18V to 36V DC
48V DC isolated supply option	36V to 72V DC
Power consumption	< 2.4W
Alarm contact rating	2A @100V max12V to 16V DC

General

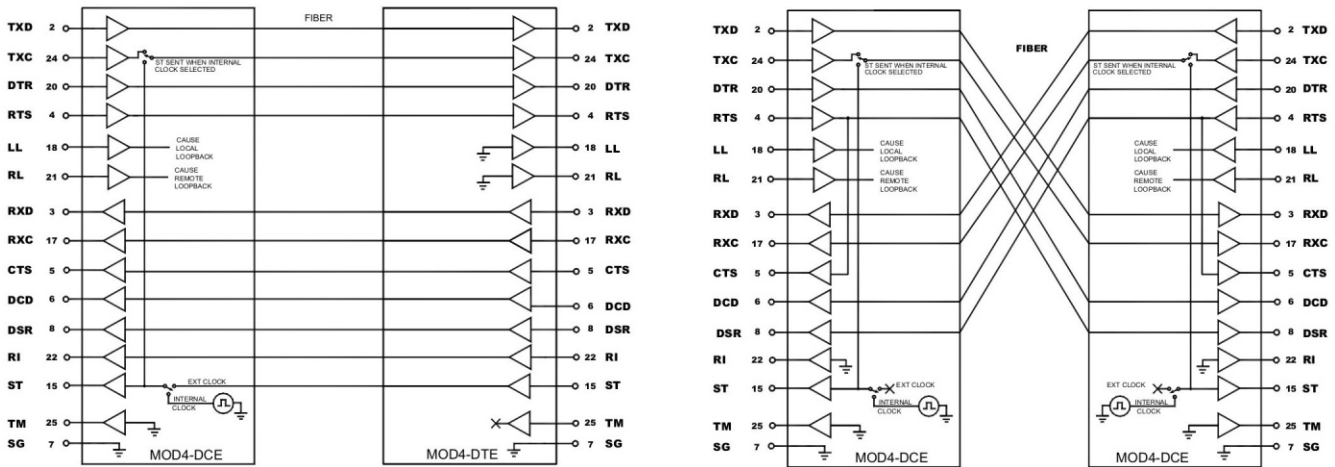
Certification	CE
Operating temperature	-40°C to +74°C
Humidity (RH)	10% to 95% (non-condensing)
Dimensions	4.3 x 13.0 x 11.0 cm

*Specifications subject to change without notice

Indicators

LINK1	indicates link-1 is receiving an optical signal.	CLK IN	indicates transitions on the clock input pins.
LINK2	indicates link-2 is receiving an optical signal.	DATA OUT	indicates transitions on the data output pins.
L-ACTIVE1	indicates local link-1 is the active rx link.	CLK OUT	indicates transitions on the clock output pins.
R-ACTIVE1	indicates remote link-1 is the active rx link.	LOOPBACK	indicates a local or remote loopback test.
DATA IN	indicates transitions on the data input pins.	ALARM	indicates an optical receive alarm.

Interconnect Examples (DTE to DTE not shown)



Ordering Information

MOD4-XXX-XX-X

