

MOD4

Synchronous/Asynchronous Data Modem

Applications

- Computer to computer
- Computer to printer
- Computer to encrypter
- Server to PC links



Description

The MOD4 DIN rail mounted modem transmits serial RS-232 data, clocks, and handshake lines over a pair of optical fibers. The MOD4 has two ST fiber optic connectors and operates with both single-mode and multi-mode fiber. The MOD4 modem is data-rate transparent for serial data up

to 160K bits/s. In synchronous applications, where data and a clock is passed, the data rate can be up to 40 k bits/s, and if data and two clocks are passed then the data-rate is up to 20 k bits/s. All handshake lines are passed across the link in any data rate configuration mode.

Features:

- Compact
- Low cost
- DIN Rail Mounting
- Excellent link margin
- DCE and DTE version
- Optical Link/Power failure alarm
- Remote modem Status Display
- Remote Loop Back Function
- Local Loop Back Function
- Single-mode and Multi-mode compatible

Specifications

Optical

Light source850 nm LED M multi-mode fiber version
1300 nm SLED MM multi-mode fiber version

Optical connectorsST

Optical Sensitivity-49 dBm (10-9 BER)

M version -18dBm launch, 62.5/125 fiber, 3 dB loss/km10 Km

M version -38dBm launch, 9/125 fiber, 2 dB loss/Km6 Km

MM version -18dBm launch, 62.5/125 fiber, 1 dB loss/km.....40 Km

MM version -38dBm launch, 9/125 fiber, .5 dB loss/km.....35 Km

MOD4

Synchronous/Asynchronous Data Modem



Specifications

Electrical

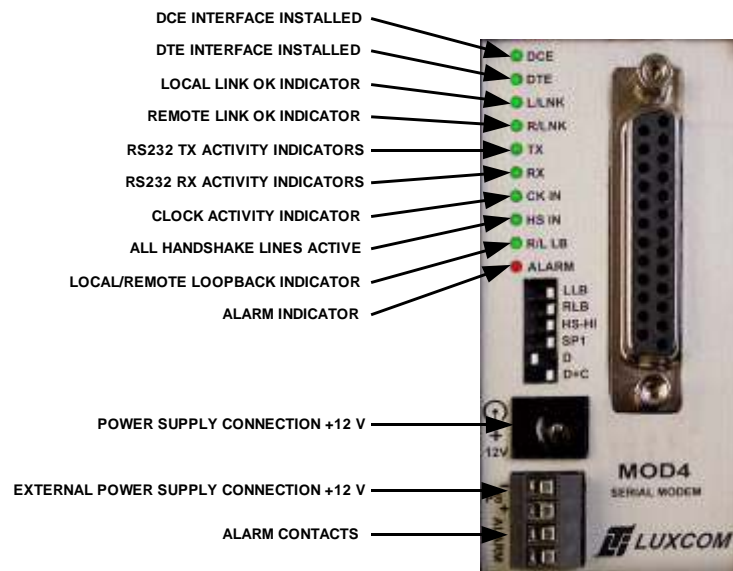
Data rate	Up to 20k Baud (Data + 2 Clocks) Up to 40k Baud (Data + 1 Clock) Up to 160k Baud (Data only)
Data I/O connector	MOD4-DCE DB25 FEMALE MOD4-DTE DB25 MALE
Interfaces	RS-232
Power source (supplied)	External 12V DC power cube
Supply voltage	12V
Current drain	200 mA maximum

General

Operating temperature	-20°C to +60°C
Humidity (RH)	10% to 95%
Dimensions (WxHxD)	4.3 x 13.0 x 11.0 cm

*Specifications subject to change without notice

Switches Indicators and Connectors



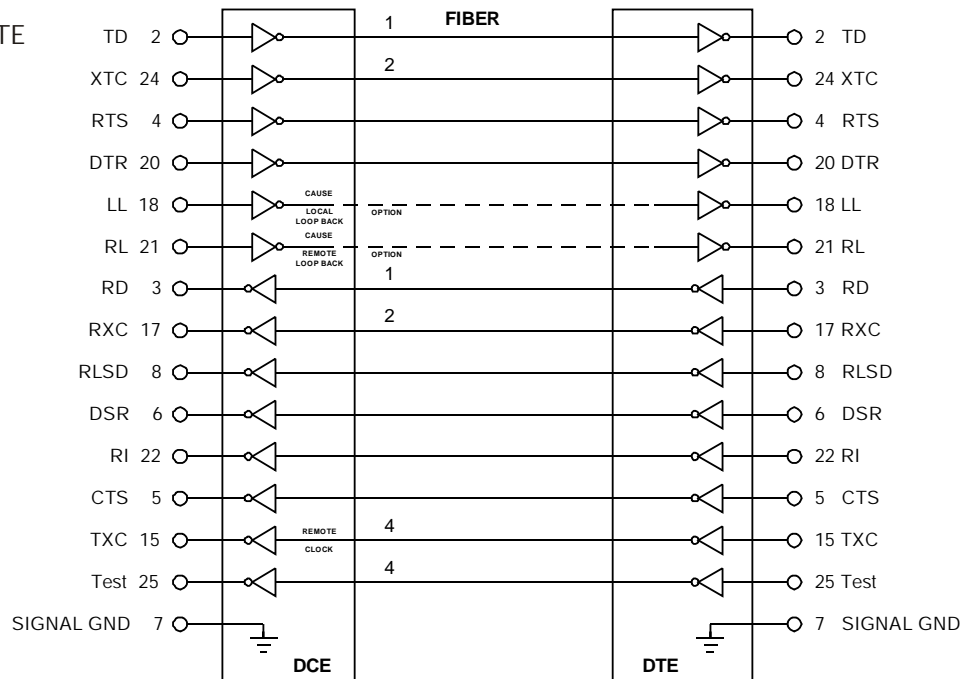
I/O Interface

The MOD4 modems will work with RS232 single ended interfaces at each end. The most common configuration is a DCE interface modem connected to a DTE interface modem which simulates a straight through cable; however an MOD4-DCE to MOD4-DCE configurations is valid. Two possible configurations are shown on opposite page.

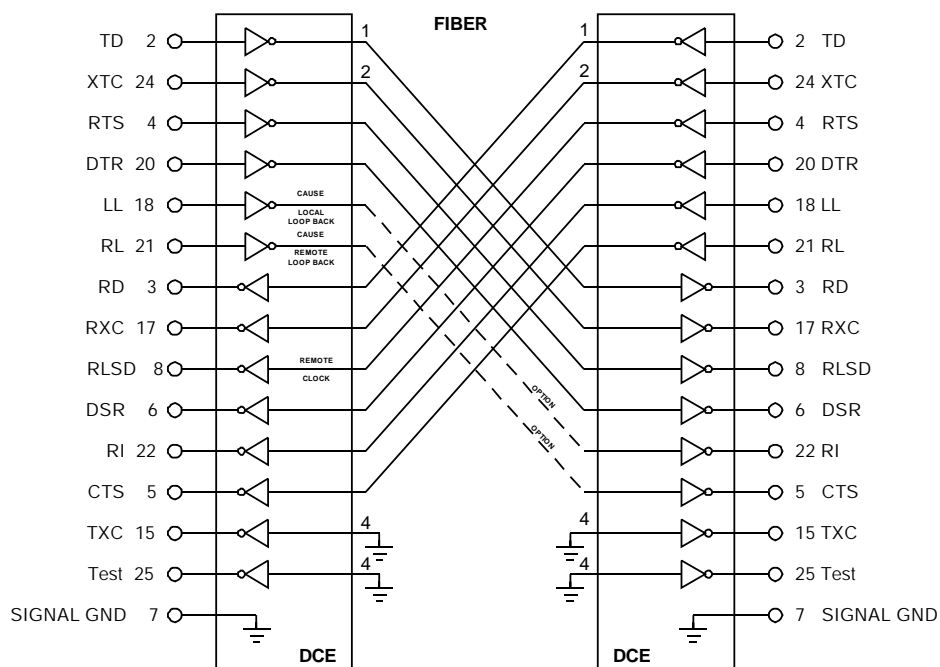


Interconnect Examples

RS232 DCE to DTE



RS-232 DCE to DCE

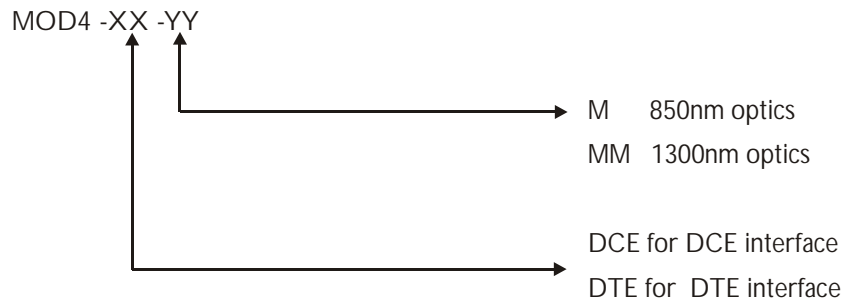


MOD4

Synchronous/Asynchronous Data Modem



Part Numbers



Accessories

LTIPS-12-0.85-U 12Volt Power Cube (One provided with each modem)